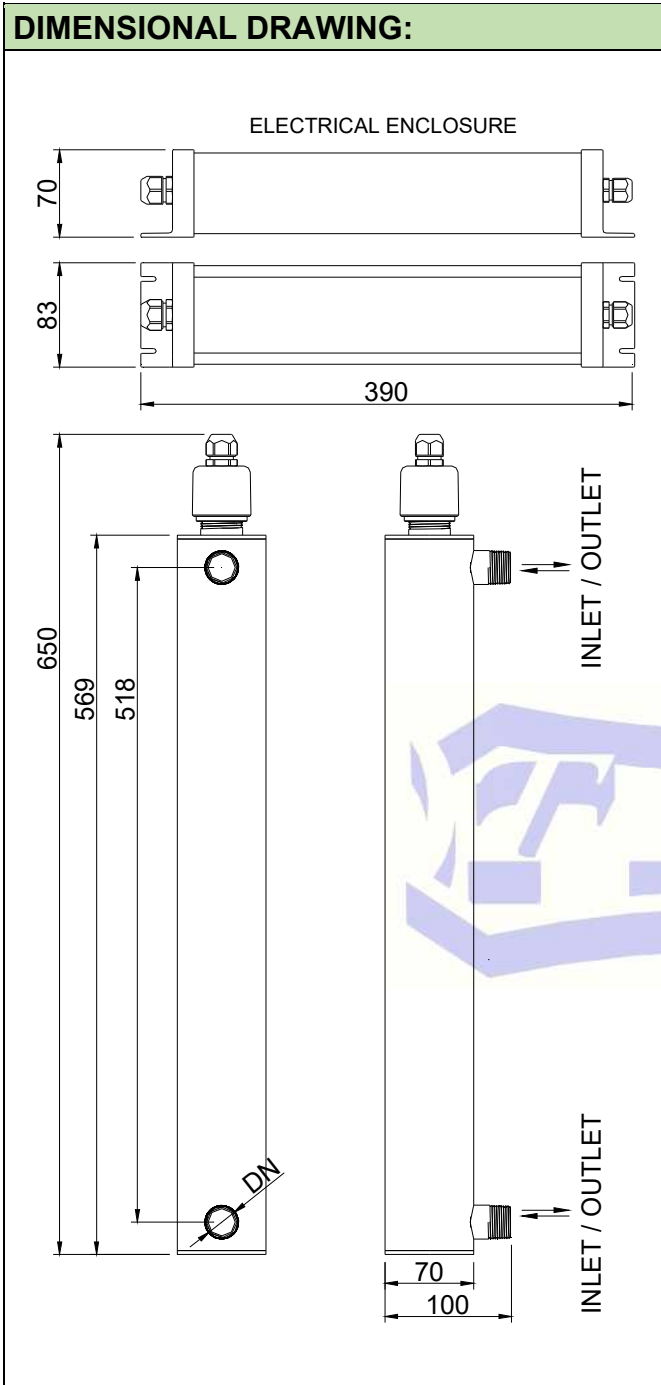




® made in Poland

WATER AND AIR UV STERILIZERS

TMA 15-592 BIAŁYSTOK BIAŁOSTOCZEK 26 GM. ZABŁUDÓW	Type	D SERIES WATER STERILIZER	TEL 85 743 12 46 TEL 85 687 14 50 www.tma.pl , www.tma.com.pl e-mail: biuro@tma.pl
	Model	STERILIZER D4	



TECHNICAL SPECIFICATIONS:

Chamber Material	Stainless steel
Chamber Finish	Polished (Ra<0,8µm)
Dimensions	650x100x70 mm
Chamber Safety Class	IP 66
Connection Diameter	DN20 (R 3/4")
Operating Temperature	0,5-45°C
Maximal Operating Pressure	10 bar (1 MPa)
Optical UV Lamp Work Indicator	Yes
Drain Plug	No
Working Orientation	Vertical, Horizontal

CONTROLS:

Power Supply	~220V-240V 50/60Hz
Nominal Power	28W
Material	ALUMINIUM / ABS
Dimensions	390x83x70mm
Safety Class	IP 41
Remote-controlled on/off Switch	No
Alarm System	No
Optical UV Lamp Fault Indicator	Yes
Optical Power Indicator	Yes
Remaining Work Time Counter	No
Total Work Time Counter	No
Number Of Switches Counter	No
Solenoid Valve Terminal	No
Alarm Signal Output	No

UV LAMP:

UV Lamp Type	D4/ D6
Number Of UV Lamps	1 / LOW PRESSURE
UV Lamp Power	27 W
Life of UV Lamps	16000 h

ADDITIONAL OPTIONS:

Enclosure made from Stainless steel	On request / Extra Charge	Changing the connection orientation	On request / Extra Charge
Changing the connection size	On request / Extra Charge	Digital UV Meter	On request / Extra Charge

NOMINAL EFFICIENCY

Nominal Flow at transmittance T ₁₀ =95%, dose 400J/m ²	1,3 m³/h
Weight with Enclosure	3,6 kg

Patented design allows for the assembly and exchange of quartz sleeve and UV lamp without tools. Exchange of UV lamp without unsealing of the system.

ALL DIMENSIONS REFER TO THE STANDARD VERSION TO OPERATE AT A PRESSURE OF 10 BAR [PN10]. IN ANOTHER VERSION, THE SIZE MAY VARY SLIGHTLY
 TMA COMPANY RESERVES THE RIGHT TO CHANGE CONSTRUCTION WITHOUT NOTICE.