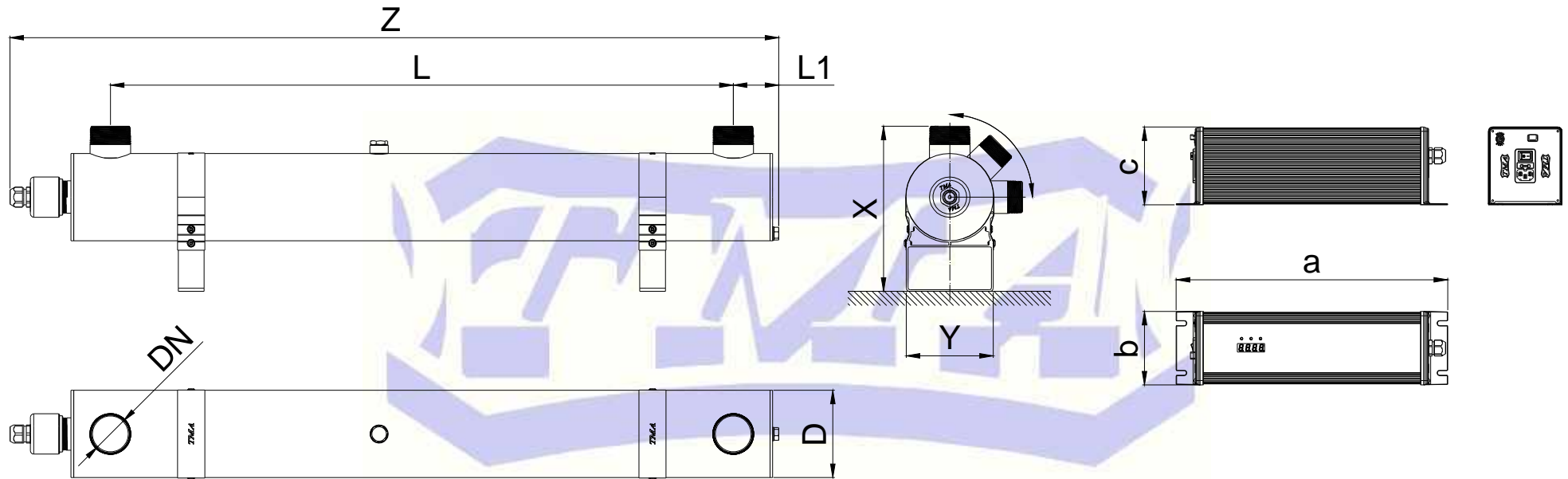




®made in Poland

DIMENSIONAL DRAWING:



STERILIZER MODEL	X [mm]	Y [mm]	Z [mm]	D [mm]	DN	L [mm]	L1 [mm]	a [mm]	b [mm]	c [mm]
TM 0	245	130	1133	130	R 2"	918	67	400 (with UV Meter -325)	109 (with UV Meter -250)	115 (with UV Meter -160)

ALL DIMENSIONS REFER TO THE STANDARD VERSION TO OPERATE AT A PRESSURE OF 10 bar (1,0 MPa). IN ANOTHER VERSION, THE SIZE MAY VARY SLIGHTLY.
TMA COMPANY RESERVES THE RIGHTS TO CHANGE CONSTRUCTION WITHOUT NOTICE.