



®made in Poland

**UV WATER AND AIR STERILIZERS**

<b>TMA</b> 15-592 BIAŁYSTOK BIAŁOSTOCZEK 26 GM. ZABŁUDÓW	<i>Series</i>	<b>TM</b>	TEL 85 743 12 46 TEL 85 687 14 50 <a href="http://www.tma.pl">www.tma.pl</a> , <a href="http://www.tma.com.pl">www.tma.com.pl</a> e-mail: <a href="mailto:biuro@tma.pl">biuro@tma.pl</a>
	<i>Type</i>	<b>TM 1</b>	

<b>TECHNICAL SPECIFICATION:</b>	
Material	Stainless steel AISI 316/316L
Finish	Satin (Ra<0,8um)
Chamber Safety Class	IP 66
Maximal Pressure	10 bar (1,0 MPa)
Operating Temperature	0,5 - 50 °C
Turbolizer <sup>1</sup>	Yes
Quartz Sleeve Guide	Yes / 1 pcs
Optical UV Lamp Work Indicator	Yes / 1 pcs
Drain Plug	Yes
Sample Valve	No
Working Orientation	Horizontal / vertical

<b>CONTROLS:</b>	
Power Supply	-220V-240V 50/60Hz
Nominal Power	220 W
Number	1 pcs
Material	Aluminum / ABS
Enclosure Safety Class	IP 65
Electronic Ballasts Safety Class	IP 66
Alarm System	Yes
Audible UV Lamp Fault Alarm	Yes
Optical UV Lamp Fault Indicator	Yes
Optical Power Indicator	Yes
Remaining Work Days Counter	Yes
Working Hours Counter	Yes
Number Of Switches Counter	Yes
Solenoid Valve Terminal	Yes
Alarm Signal Output	Yes

<b>LOW PRESSURE UV LAMPS:</b>	
UV Lamp Type	T
Number Of UV Lamps – Low Pressure	1 / amalgam
UV Lamp Power	210 W
Life of UV Lamp	16 000 h

<b>NOMINAL EFFICIENCY:</b>	
Nominal Flow at transmittance T <sub>10</sub> =95%,dose 400 J/m <sup>2</sup>	<b>24,4 m<sup>3</sup>/h</b>

Weight With Controls	39 kg
----------------------	-------

**OPTIONS (ON REQUEST / EXTRA CHARGE):**

- External/internal Polishing (Ra<0,8um)
- Changing Flange Connection
- Changing The Orientation Of Inlet /Outlet– L , Z
- Chamber Made For Pressure 16 Bar
- Sterilizer supports
- Electrical Enclosure made from Stainless Steel
- Enclosure with safety class IP54
- Digital UV Intensity Measurement System

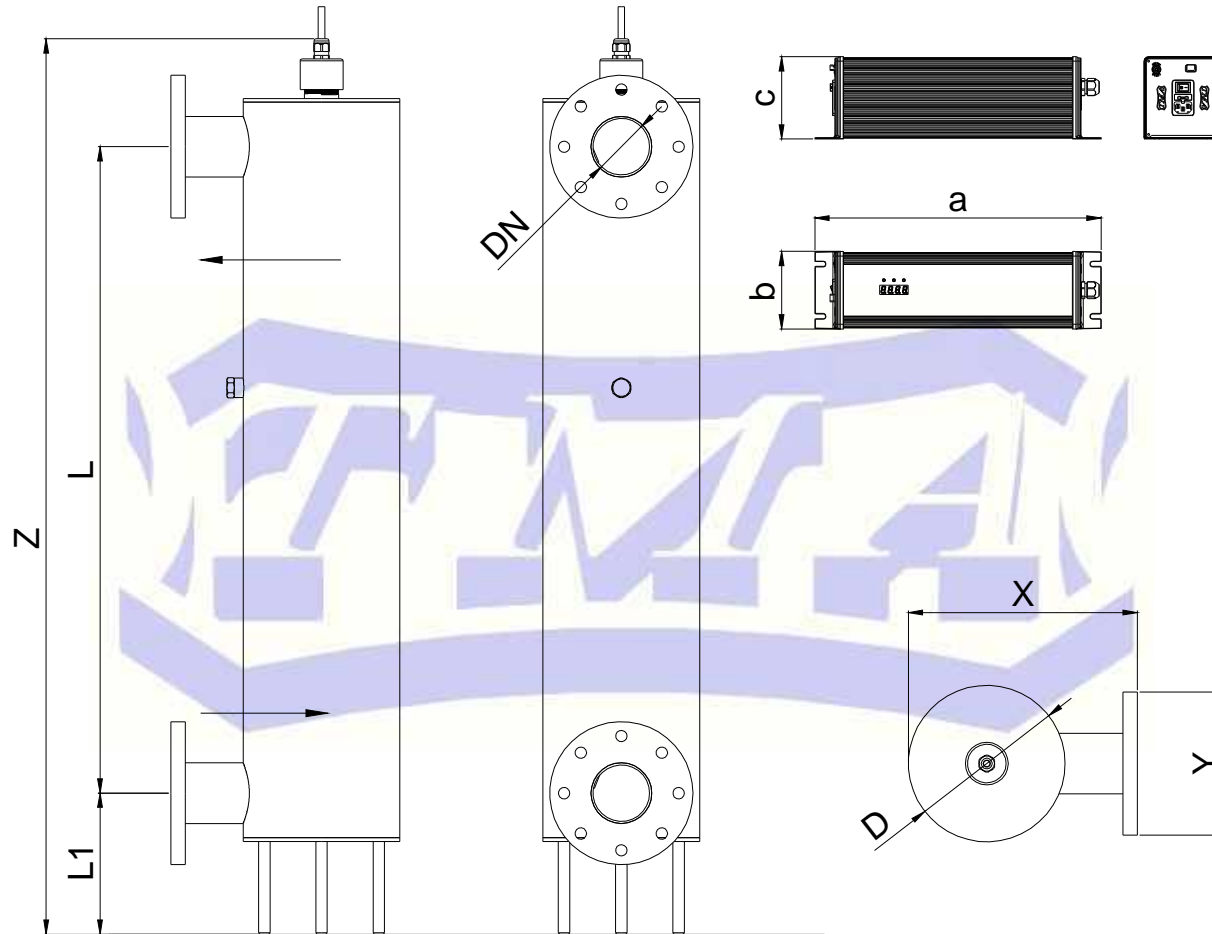
Assembly and exchange of quartz sleeve and UV lamp without tools. Exchange of UV lamp without unsealing of the system.

<sup>1</sup>It provides the same effectiveness of the UV radiation throughout the chamber. This increases the effective dose of UV radiation.  
 ALL DIMENSIONS REFER TO THE STANDARD VERSION TO OPERATE AT A PRESSURE OF 10 BAR [PN10]. IN ANOTHER VERSION, THE SIZE MAY VARY SLIGHTLY.  
 TMA COMPANY RESERVES THE RIGHTS TO CHANGE CONSTRUCTION WITHOUT NOTICE.



®made in Poland

**DIMENSIONAL DRAWING:**



STERILIZER MODEL	X [mm]	Y [mm]	Z [mm]	D [mm]	DN	L [mm]	L1 [mm]	a [mm]	b [mm]	c [mm]
TM 1	320	200	1260	220	DN80	905	200,5	400 (with UV Meter -325)	109 (with UV Meter -250)	115 (with UV Meter -160)

ALL DIMENSIONS REFER TO THE STANDARD VERSION TO OPERATE AT A PRESSURE OF 10 BAR [PN10]. IN ANOTHER VERSION, THE SIZE MAY VARY SLIGHTLY.  
TMA COMPANY RESERVES THE RIGHTS TO CHANGE CONSTRUCTION WITHOUT NOTICE.