



®made in Poland

**UV WATER AND AIR STERILIZERS**

<b>TMA</b> 15-592 BIAŁYSTOK BIAŁOSTOCZEK 26 GM. ZABŁUDÓW	Series	<b>TM</b>	TEL 85 743 12 46 TEL 85 687 14 50 <a href="http://www.tma.pl">www.tma.pl</a> , <a href="http://www.tma.com.pl">www.tma.com.pl</a> e-mail: <a href="mailto:biuro@tma.pl">biuro@tma.pl</a>
	Type	<b>TM 8</b>	

TECHNICAL SPECIFICATION:	
Material	Stainless steel AISI 316/316L
Finish	Satin (Ra<0,8um)
Chamber Safety Class	IP 66
Maximal Pressure	10 bar (1,0 MPa)
Operating Temperature	0,5 - 50 °C
Turbolizer <sup>1</sup>	Yes
Quartz Sleeve Guide	Yes / 8 pcs
Optical UV Lamp Work Indicator	Yes / 8 pcs
Temperature sensor	Yes
Drain Plug	Yes
Sample Valve	G ½"
Working Orientation	Horizontal / vertical

CONTROLS:	
Power Supply	~220V-240V 50/60Hz
Nominal Power	1760 W
Number	1 pcs
Material	Steel
Enclosure colour	RAL 7035
Enclosure Safety Class	IP 42
Electronic Ballasts Safety Class	IP 66
Remote-controlled on/off Switch	Yes
Alarm System	Yes
Audible UV Lamp Fault Alarm	Yes
Optical UV Lamp Fault Indicator	Yes
Optical Power Indicator	Yes
Working Hours Counter	Yes
Number Of Switches Counter	Yes
Remaining Work Days Counter	Yes
Touch Screen display 5"	Yes
Solenoid Valve Terminal	Yes
Alarm Signal Output	Yes
Modbus communication	Yes
Analog Output 4-20mA	Yes
Cyclic Control Relay	Yes

LOW PRESSURE UV LAMPS:	
UV Lamp Type	T
Number Of UV Lamps – Low Pressure	8 / amalgam
UV Lamp Power	210 W
Life of UV Lamp	16 000 h

NOMINAL EFFICIENCY:	
Nominal Flow at transmittance T <sub>10</sub> =95%, dose 400 J/m <sup>2</sup>	<b>300 m<sup>3</sup>/h</b>

Weight With Controls	140 kg
----------------------	--------

**OPTIONS (ON REQUEST / EXTRA CHARGE):**

<ul style="list-style-type: none"> <li>External/internal Polishing (Ra&lt;0,8um)</li> <li>Changing Flange Connection</li> <li>Changing The Orientation Of Inlet /Outlet– L , Z</li> <li>Chamber Made For Pressure 16 Bar</li> <li>Sterilizer supports</li> </ul>	<ul style="list-style-type: none"> <li>Electrical Enclosure made from Stainless Steel</li> <li>Enclosure with safety class IP54</li> <li>Digital UV Intensity Measurement System</li> </ul>
--	---

Assembly and exchange of quartz sleeve and UV lamp without tools. Exchange of UV lamp without unsealing of the system.

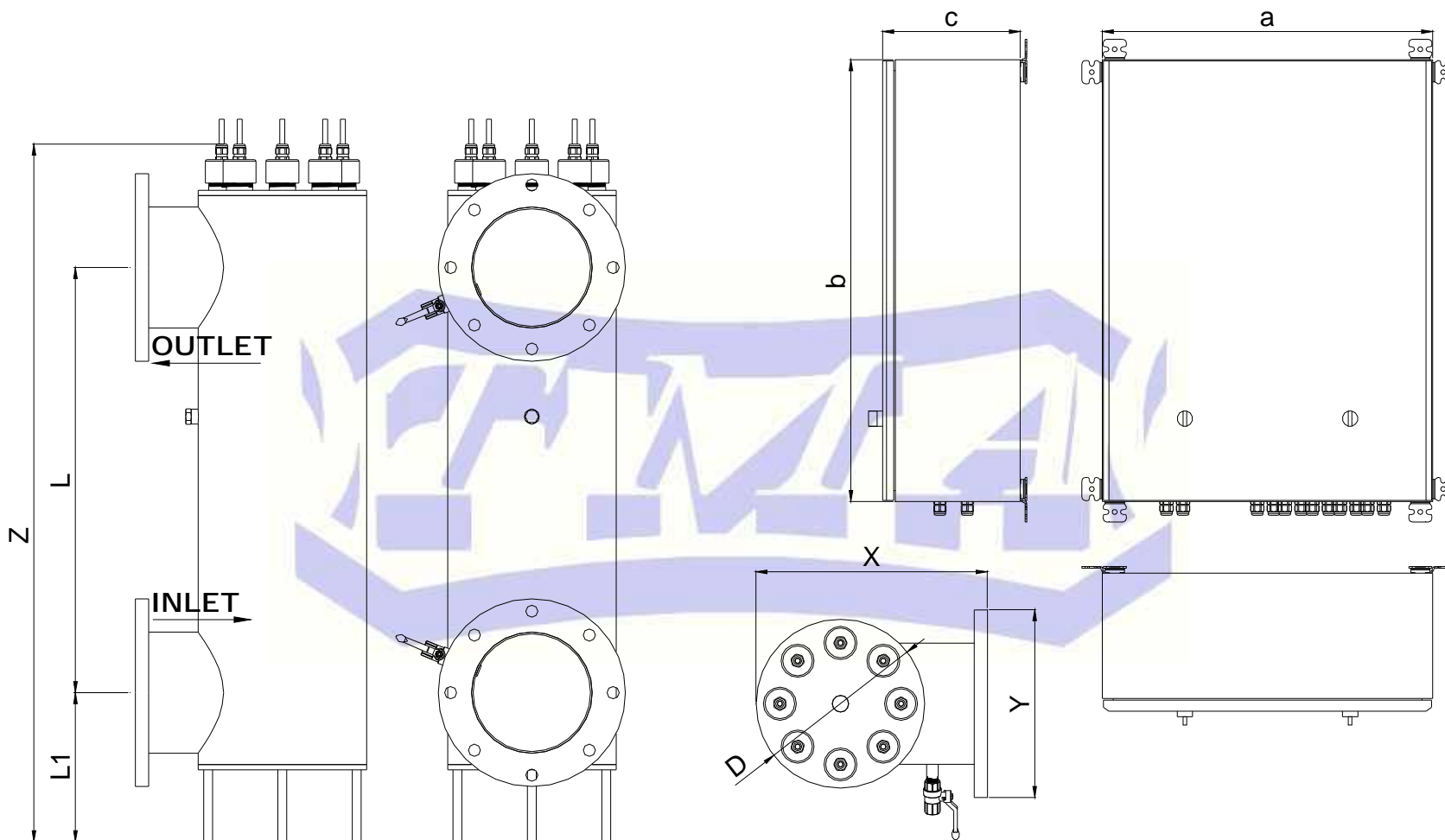
<sup>1</sup>It provides the same effectiveness of the UV radiation throughout the chamber. This increases the effective dose of UV radiation.



®made in Poland

UV WATER AND AIR STERILIZERS

**DIMENSIONAL DRAWING:**



STERILIZER MODEL	X [mm]	Y [mm]	Z [mm]	D [mm]	DN	L [mm]	L1 [mm]	a [mm]	b [mm]	c [mm]
TM 8	420	340	1270	300	DN200	770	270	600	800	250

ALL DIMENSIONS REFER TO THE STANDARD VERSION TO OPERATE AT A PRESSURE OF 10 bar (1,0 MPa). IN ANOTHER VERSION, THE SIZE MAY VARY SLIGHTLY.  
 TMA COMPANY RESERVES THE RIGHTS TO CHANGE CONSTRUCTION WITHOUT NOTICE.